



AUSTRALIA
USA/CANADA

BeefEater Signature Trolley

Assembly Instructions



Australia's Leading Barbecue



Parts List



48 x screws, washers and nuts
(Allen head screw M6x12mm, washer & nut M6)
may not all be required



2 x fixed wheels



2 x rotating castors



2 x hubcaps



2 x circlips

1 x axle



hose protector



cylinder bracket



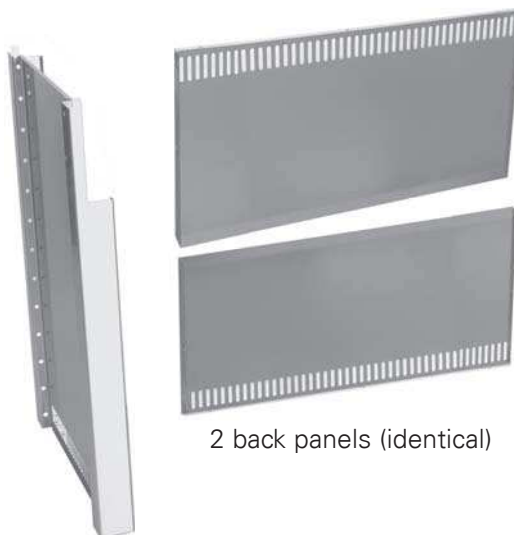
top enclosure panel



cross brace



2 x magnets



left side panel

2 back panels (identical)



right side panel



base panel



left door



front infill panel (5 burner models only)



right door



2 x side shelves



Assembly Instructions

Before You Start

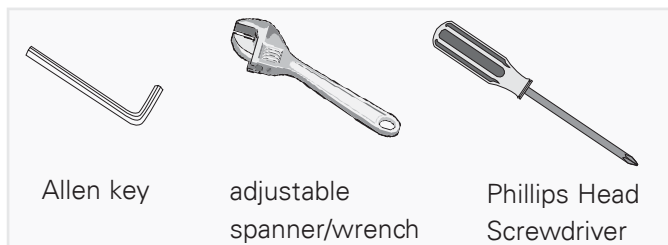
Note the tools you will need before you begin.

Check for damaged or missing parts, and consult your retailer if necessary.

Many components and panels are covered with a protective sheet of plastic. You will

need to remove this plastic covering from all surfaces, especially where two panels join. It is a good idea to leave some plastic on the panels during assembly to protect the stainless steel during the assembly process. Ensure however that all plastic covering is removed on completion.

Assemble on a clean, smooth, flat working surface that will not scratch the surface of the stainless steel..



1a) Fit The Fixed Wheels

Fit the axle through the holes in the end of the base panel. Fit the wheels as shown.



1b) Fit The Circlips and Hub Caps

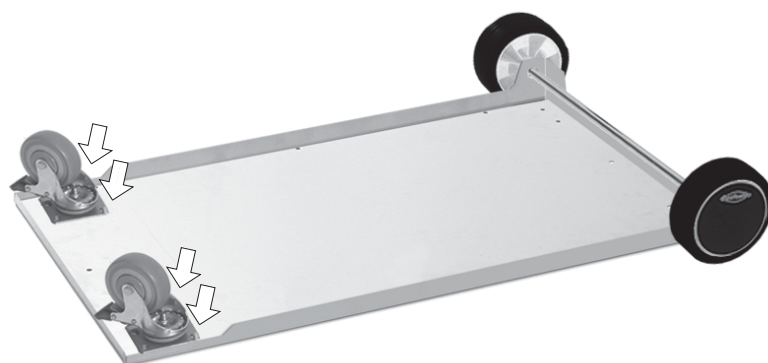
Fit the circlips to the grooved ends of the axle shaft. Fit the hubcaps.



2) Fit The Rotating Castors

Fit the rotating castors into the holes in the bottom of the base. Use only two Allen head screws, washers and nuts for each castor in the positions shown.

Spanner/wrench tighten immediately.



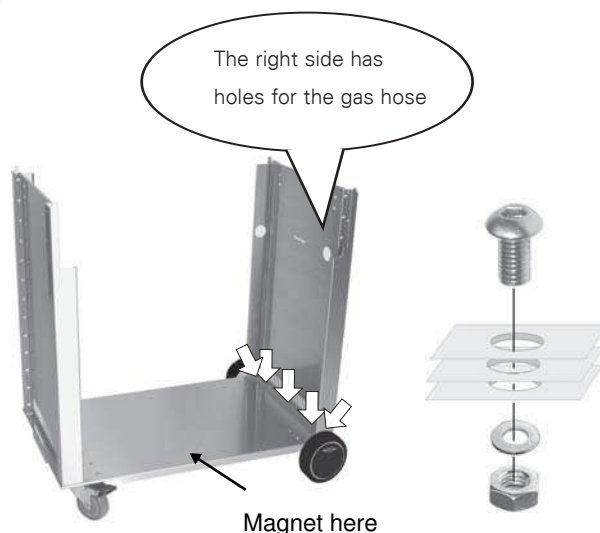


Assembly Instructions

3) Fit The Right And Left Side Panels

Use 5 Allen head screws, washers and nuts on each panel. You may find it easier to lay the cart on its side for this step.

Only hand tighten at this stage - You will wrench/spanner tighten at a later step.



4) Fit The Magnets To The Cross Brace

Hold the cross brace so the folded tabs are facing towards you. Push the magnets into place so the magnetic side is facing you.

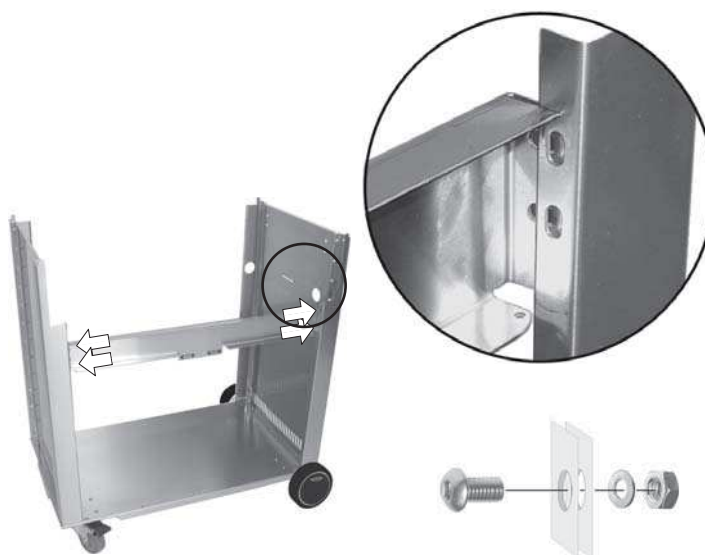


5) Fit The Front Cross Brace

Use 4 Allen head screws, washers and nuts. Ensure the magnets are towards the bottom and the folded tabs are facing outwards.

The cross brace "wraps around" the side panels, to bring them closer together, as shown in the inset.

Hand tighten only at this stage.





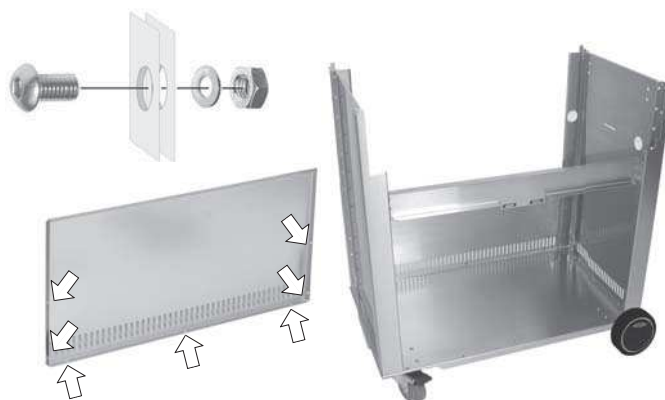
Assembly Instructions

6) Fit The Lower Back Panel

Both back panels are identical.

Screw one of the back panels to the base and side panels using 7 Allen head screws, washers and nuts.

Hand tighten only at this stage.



7) Fit The Upper Back Panel

Screw the other back panel to the side panels. Use only one Allen head screw, washer and nut on each side, in the uppermost hole.

Hand tighten only at this stage.





Assembly Instructions

8) Fit The Side Shelves

Use 4 Allen head screws, nuts and washers for each side shelf. Get in underneath the side shelf and screw the shelf to the side panel. The screws go into the slotted holes as shown.



9) Fit The Top Enclosure Panel

The front of the enclosure panel sits neatly on the front cross brace. The back of the panel screws into both the upper back panel and the side panel. Use two Allen head screws, washers and nuts.

Hand tighten only at this stage.



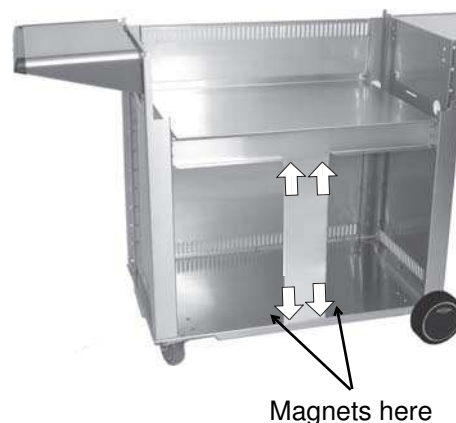


Assembly Instructions

10) Fit The Infill Panel (5 burner models only)

5 burner models require an infill panel between the two doors. Use 4 Allen head screws, washers and nuts to secure the panel between the front cross brace and the base plate.

Hand tighten only at this stage.



11) Fit The Doors

Support the door rod from underneath, slip the top of the rod into the hole in the cross brace, and allow the bottom of the rod to fall into the hole in the base plate.

You should now wrench/spanner tighten the infill panel if one has been fitted.





Assembly Instructions

12) Fit The Storage Racks (Optional)

If you purchased any optional storage racks, they slide easily into the holes on the right or left side panel.



13) Fit The Hose Protector

Squeeze the rubber hose protector and fit it into one of the holes in the side panel. *You have a choice as to which hole you use:*

If you intend to use bottled gas, you should use the hole in the side as shown.

If you will be using piped gas, then your gas plumber may prefer it at the rear of the barbecue.



14) Fit The Cylinder Bracket

This slips into the slot on the right side panel, on either the inside or the outside of the cart. This allows a cylinder to be placed on the outside of the cart, or inside the cabinet enclosure.





Assembly Instructions

15) Fit The Hose To The Barbecue

You need to connect the proper hose to the barbecue inlet before the barbecue is in place in the cart. You should follow the separate barbecue instructions for directions on methods of connection and leak testing.

If you purchased a side burner:

Pass hose a through the side hole (arrow 1) and connect to the barbecue. Follow your separate side burner instructions for remaining connection details.

If you did not purchase a side burner:

If you are using a portable LPG/propane cylinder and you wish to place the bottle on the *outside* of the cabinet, thread the hose and regulator (b) through the hole in the side panel (arrow 1), and connect to the barbecue.

If you are using a portable LPG/propane cylinder and you wish to place the bottle on the *inside* of the cabinet, thread the hose and regulator (b) past the top enclosure panel from underneath (arrow 2) and connect to the barbecue.

If you are using piped gas, your gas plumber may choose to thread a special hose from the rear of the cart (arrow 3).



16) Lower The Barbecue Into The Cart

You will need to tease the side panels apart slightly to be able to put the barbecue into place. Make sure the barbecue is pushed back against the rear edge of the cart, and the front of the barbecue is flush with the front of the cart.

You do not need to screw anything in at this stage. That is done in the next two steps.





Assembly Instructions

17) Finish Screwing In The Barbecue

The barbecue should be secured using 4 Allen head screws, washers and nuts, as shown. If you have a side burner, the right side of the barbecue will already be secured.



18) Slide The Drip Tray Into Place

Ensure the drip tray slides along the top of the tracks underneath the barbecue.

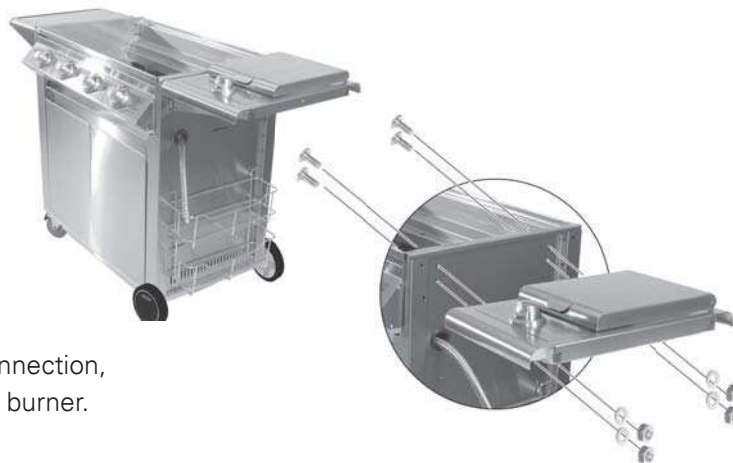


Now tighten all remaining screws and your assembly is complete.

To Fit The **Optional** Side Burner

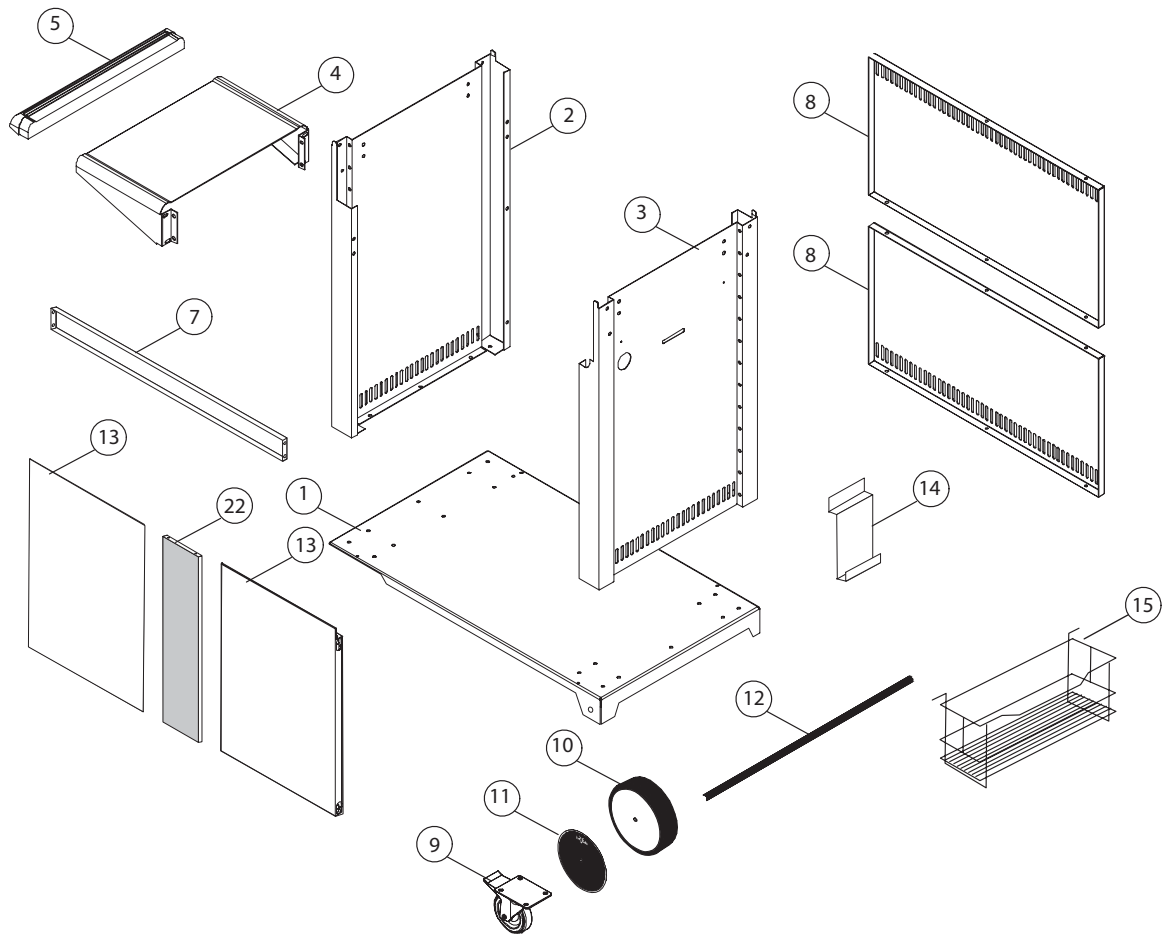
If you purchased a side burner, the side burner must go on the right side of the barbecue. Use 4 Allen head screws, washers and nuts. The screws go through the inside of the barbecue and help to secure it.

For the rest of the side burner assembly and connection, consult the instructions that came with the side burner.





Signature Cart Spare Parts Listing



Ref	Description	4 Burner		5 Burner	
		Code	QTY	Code	QTY
1	Base panel	180376	1	180379	1
2	Left hand side panel	180378	1	180378	1
3	Right hand side panel	180377	1	180377	1
4	Side shelf	180217W	2	180217W	2
5	Side shelf end plastic	224801	2	224801	2
6	10GX1/2" self tap screw	030126	4	030126	4
7	Cross brace	180122W	1	180122W	1
8	Rear panel	180218W	2	180218W	2
9	Swivel castor with lock	060701W	2	060701W	2
10	6" Wheel deluxe white	060508W	2	060508W	2
11	Cap-6" wheel	95455W	2	95455W	2
12	Wheel Axle	180505	1	180505	1
13	Door	180483	2	180483	2
14	Cylinder hook	180128W	1	180128W	1
15	External storage basket	180221	2	180221	2
16	M6x10 Allen head screws	030158	48	030158	48
17	M6 Nut	030307	48	030307	48
18	M6 Washer	030414	48	030414	48
19	M3x10 Phillips head screw	030139	5	030139	5
20	M3 Nut	030140	5	030140	5
21	M3 Washer	030415	5	030415	5
22	Front infill panel	n/a		180240W	1



Accessories Available

Your retailer can advise on the range of BeefEater accessories available to help you take full advantage of the barbecue cooking opportunities available with your roasting hood.



Mitt Set - handle baking dishes and other hot items safely and with confidence



Poly Cover - protect your investment from the weather. Designed to fit BeefEater barbecues



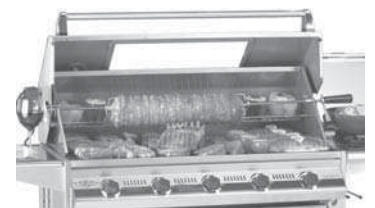
Meat Thermometer - takes the guess work out of cooking by telling you when your food is cooked



Chef Set - all you need to look like a pro



Baking Dish - for casseroles and other foods that need to be confined or contained



Motorised Rotisserie - cooks evenly without being too close to direct heat

BeefEater Sales International

P.O. Box 236, Chester Hill, NSW, Australia 2162

Phone: +61 2 9724 8888 Facsimile: +61 2 9724 8899

E-mail: mail@beefeaterbbq.com

Website: www.beefeaterbbq.com

Document Code: 4.5 SIGTRINS 1.0

Australia's Leading Barbecue