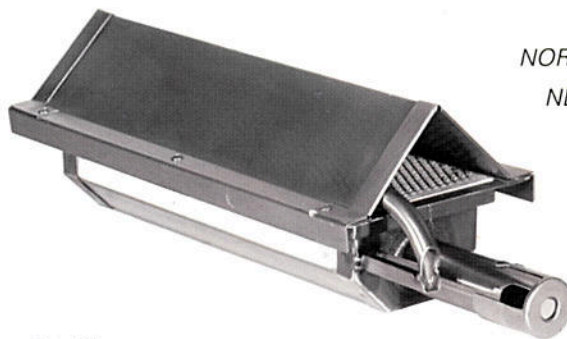




AUSTRALIA  
NORTH AMERICA  
NEW ZEALAND



# Infra Red Burner

## Installation And Operating Instructions

Only for use on Beefeater barbecues

For outdoor use only

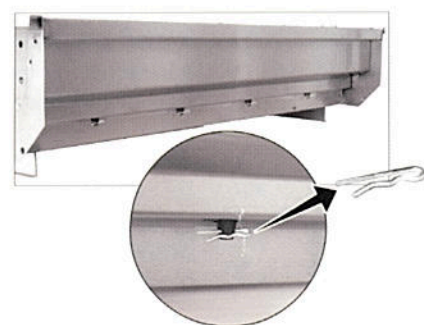
## Remove the Existing Burner

If there is already a burner in the position where you want your Infra Red burner, you will need to remove it. First ensure all burners are OFF and the gas supply is turned off. Ensure the barbecue is cool to touch before proceeding.

**Remove the retaining clip** from under the rear lug of the burner. You will need to do this from behind the barbecue, underneath the back panel.

**Remove the cooking grill and plate**, and the Vaporizers so that you have access to the burner.

**Now simply remove the burner** by lifting the rear end of the burner, then pulling the front of the burner away from the gas jet.



## Change The Injector

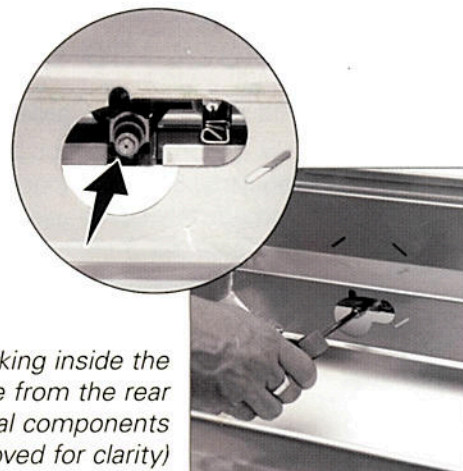
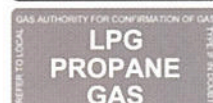
**1 Check the gas type** which your barbecue is designed for. You will find the gas type label on the side of your barbecue.

**2 Identify the correct replacement injector.** There are two injectors supplied with your burner, each in a clearly labelled bag. One is for Natural Gas, the other is for LPG. The injector should also be marked in the position shown: 0.9 for LPG, and 1.5 for Natural Gas. Take the injector that uses the same gas as your barbecue. You should discard the other injector - it will not be used.

It is extremely important that you use the correct injector. Using the wrong injector for your type of gas is extremely dangerous.

**3 Remove the existing gas injector from your barbecue.** You will find the injector inside the barbecue behind the front wall. Using a 6 mm socket spanner or similar tool, turn the gas injector counter clockwise to remove it from the gas valve.

**4 Fit the replacement gas injector** to the end of the valve body. Be sure to seat the injector correctly on the thread before turning it in a clockwise direction. Tighten firmly, but do not to overtighten.



*view looking inside the barbecue from the rear (all internal components removed for clarity)*

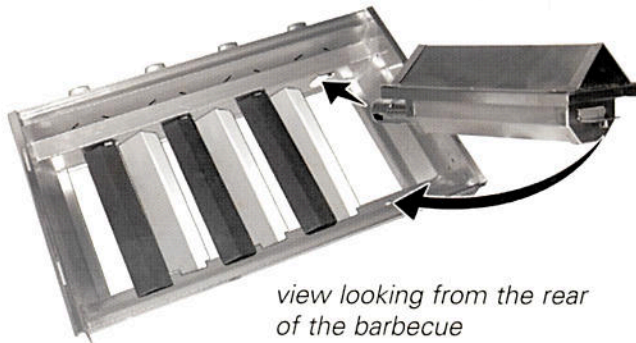
Australia's Leading Barbecue



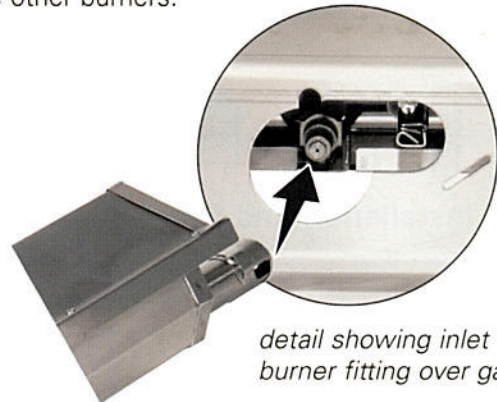
# Install The Infra Red Burner

Remove the Infra Red burner from the packaging.

Important: For barbecues that have ignition on every burner, you can place the Infra Red burner in any position. For barbecues that have ignition on the right hand burner only, you must place the burner on the far LEFT burner, so that it does not interfere with the lighting of the other burners.



view looking from the rear of the barbecue



detail showing inlet of the burner fitting over gas jet

- 1 Install the Infra Red burner** by placing the inlet over the gas jet (see detail) at the front of the barbecue. Lower the other end of the burner so the lug locates into the corresponding hole at the rear of the barbecue.
- 2 Replace the cooking grill and plate**, and any other components which you removed. NOTE: You do not need to replace the vaporizer above the Infra Red burner.
- 3 Replace the retaining clip** under the rear lug of the burner. You will need to do this from behind the barbecue, underneath the back panel.

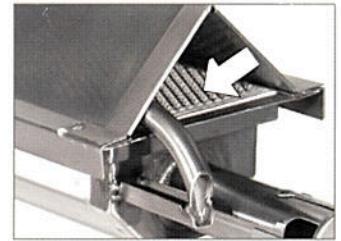
## Lighting The Infra Red Burner

If you placed your Infra Red burner in a position with automatic ignition, then it will light like any other burner (follow your separate barbecue instructions).

If the burner knob does not indicate automatic ignition, you will need to light the burner manually, because it will **not** automatically cross light from an adjacent burner.

To light the burner manually, press and turn the control knob anti-clockwise to the High position, then hold a match near the burner surface indicated by the arrow. NOTE: Failure to follow these turn on procedures may lead to a dangerous situation.

If you cannot achieve satisfactory operation, or if there are any concerns during installation or lighting, please consult your dealer before proceeding.



## Check The Burner Frequently

The stainless steel gauze is an integral part of the burner.

It is important that you inspect the stainless steel gauze regularly. Should any damage to the gauze be apparent, immediately cease use of the burner, and contact Beefeater for a replacement part.

## Technical Details

Infra Red burner type:	94745
Jet size:	LPG 0.9mm NG 1.5mm
Gas consumption:	LPG 12 MJ/hr NG 11 MJ/hr

4.5 IRBNR INS\_0907\_V2

Woodland Home Products  
P.O. Box 236, Chester Hill, NSW, 2162 Australia  
Phone: +61 2 9724-8888 Facsimile: +61 2 9724-8899  
USA Toll Free 1-866-550-2333  
E-mail: [mail@beefeaterbbq.com](mailto:mail@beefeaterbbq.com)  
Website: [www.beefeaterbbq.com](http://www.beefeaterbbq.com)

# Australia's Leading Barbecue