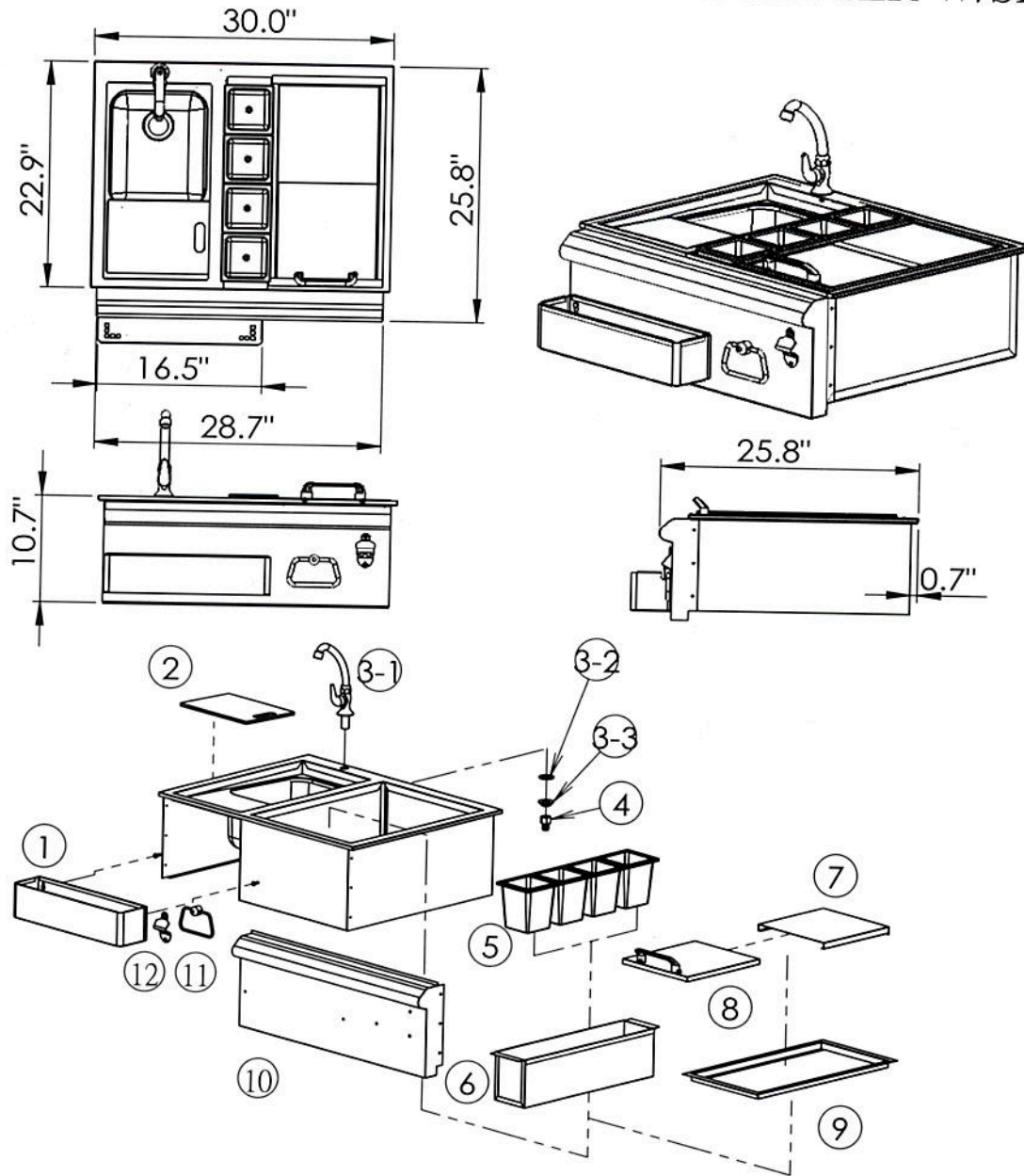


SPECIFICATIONS & ASSEMBLY INSTRUCTION

ITEM#25210 STAINLESS STEEL 30" BAR CENTER W/SINK



NO.	Part list	Dimension	Q'ty
1	Bottle tray	3.9"x16.57"x4"	1
2	Cutting board	7.48"x10.23"x0.31"	1
3-1	Faucet		1
3-2	Rubber tab		1
3-3	Plastic nut		1
4	Connecting nut	1/2-14pt	1
5	Salad box	5"x4.92"x5.14"	4
6	Salad box tray	19.7"x4.11"x4.59"	1
7	Lid of the barcenter	9.88"x10.07"x0.88"	1
8	Inside of Lid of the barcenter	11.07"x9.96"x0.59"	1
9	Frame of Lid	11.43"x21.31"x0.8"	1
10	Control Panel	28.7"x10.29"x3.87"	1