



Installation Of The Discovery Built In Barbecue Brackets

These instructions show you how to build your Discovery barbecue into a masonry structure, using specially designed brackets.

General Requirements

We recommend that this installation be done in a masonry structure and carried out by a professional tradesperson. Other non-combustible material such as Hardiplank, Villaboard with metal studs may also be used.

This appliance must not be installed under or on any combustible material. Minimum clearance from combustible construction materials to all sides of the appliance is 450mm (18").

Warning: Contact your local municipality for any building codes regulating the installation of outdoor barbecue appliances. Outdoor installations must conform to local codes or, in the absence of local codes, with:

- USA: National Fuel Gas Code, ANSI Z223.1/NFPA 54
- CAN: B149.1 Natural Gas & Propane Installation Code.
- AUST: Australian Standards Code AS: 5601

as well as the requirements of any local council, gas, electricity authority or other statutory regulation.

The Barbecue Cavity

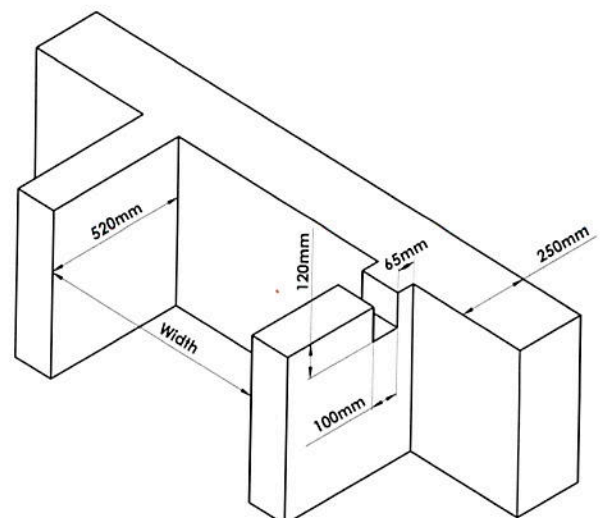
Your barbecue has been designed to sit into a cavity or cutout rather than be placed directly onto a flat surface. It is important that the dimensions of the cavity conform exactly to those listed below. This will ensure the barbecue sits correctly in the cavity, and that the barbecue has sufficient ventilation to operate efficiently and safely. The dimensions of the construction also provide approximately 250mm behind the rear of the barbecue to allow the hood to open freely.

In creating the cavity, you should ensure that you have convenient access to the gas connection point and associated hardware:

- If the gas for your barbecue is supplied by a portable gas bottle, you will need access to the gas connection point, the gas hose and the gas cylinder at all times.
- If the gas for your barbecue is supplied by a fixed piped gas supply (either natural gas or 45kg LPG cylinders), you will need access to the gas connection point, the piping and the shutoff valve.

Built-in Cavity Dimensions

		Width
x 2	⊗ ⊗	21 3/8" 523mm
x 3	⊗ ⊗ ⊗	28" 690mm
x 4	⊗ ⊗ ⊗ ⊗	34" 846mm
x 5	⊗ ⊗ ⊗ ⊗ ⊗	40 1/4" 1003mm





The Cylinder Compartment

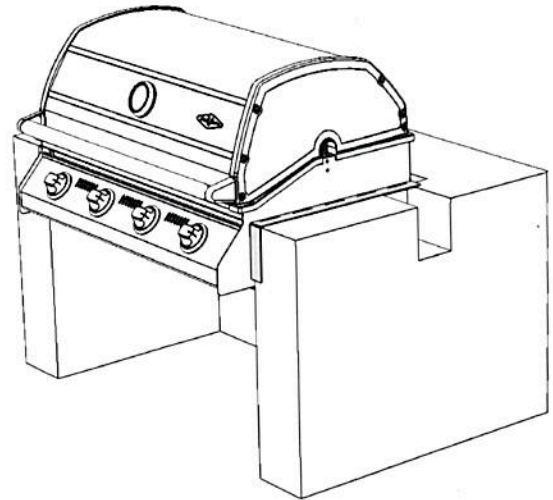
If the gas for your barbecue is to be supplied by a portable LPG/propane cylinder, you will need to ensure that adequate provision is made to house the cylinder safely. The following must be adhered to:

Keep out of heat: The cylinder and hose must be sheltered from the sun's direct heat. The flexible PVC hose assembly supplied must not be exposed to temperatures in excess of 60°C (140°F). DO NOT allow the hose to come in contact with the hot surface of the barbecue body.

Keep cylinder upright: The cylinder must be housed securely. It must remain upright at all times. It can be either attached to a firm vertical wall by a cylinder bracket, or stored on a firm level base.

Requirements for cylinder base: If the cylinder is to be stored on a flat base, the base must be made from non-combustible material. Soil or grass is not an appropriate surface. Ensure there is adequate drainage, and that water cannot collect around the cylinder.

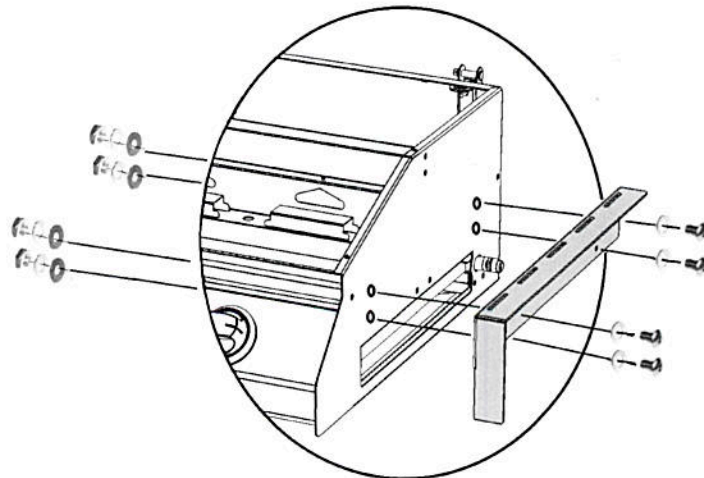
Requirements for cylinder compartment: Where the cylinder is to be kept inside an enclosure, you must ensure there is 200 square centimetres of open ventilation at each of the top and the bottom of the enclosure, for each cylinder stored in it. This prevents leaking gas from building up in a confined space. Gas vapour is highly explosive and can cause serious bodily injury or damage to property if allowed to accumulate in a confined space and ignited.



Attach The Brackets

Screw the built-in brackets to the side of the barbecue as shown. These brackets are designed to rest on the sides of the brickwork. This performs two important functions:

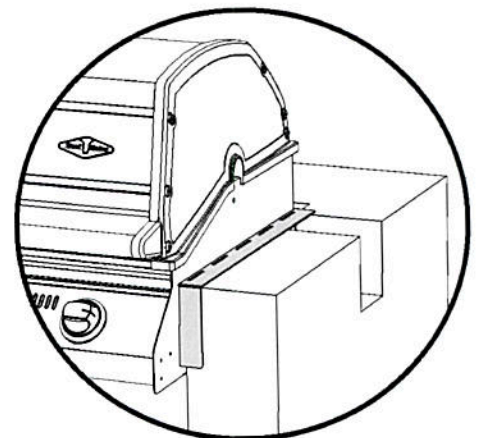
- The ventilation slots in the brackets allow air to pass between the sides of the barbecue and the brickwork. This prevents the barbecue from overheating and provides air to allow the barbecue to burn gas correctly.
- The brackets allow the barbecue body to be lifted above the flat surface underneath. This allows the grease tray to slide out freely, and for combustion air to enter from underneath.



Lower The Barbecue Into Position

When lowering the barbecue onto the brickwork, do not push the barbecue back as far as it will go. Ensure there is at least 50 mm clearance behind the rear of the barbecue to allow for proper ventilation, and to allow any roasting hood to open freely.

Note in the illustration how there is an air gap between the side of the barbecue body and the wall of the cavity. It is important for the proper operation of the gas barbecue that air can flow freely up past the side of the barbecue and through the air slots on the brackets.



Woodland Home Products
P.O. Box 236, Chester Hill, NSW, Australia 2162
Phone: +61 2 9724 8888 Facsimile: +61 2 9724 8899
E-mail: mail@beefeaterbbq.com
Website: www.beefeaterbbq.com